



MODEL

4AM-FRV-24

(4 Vanes, Dual Shaft)

4AM-FRV-13C

(4 Vanes, Reversible)

4AM-FRV-63A

(8 Vanes, Reversible)

Net wt. 9 lbs. (4,1 kg)

FEATURES

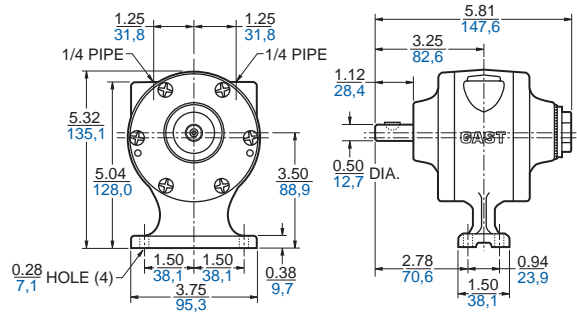
- Foot mounting
- Any plane operation
- Single or dual shaft
- Metal muffler AC980 adds 2" height when installed

RECOMMENDED

- Filter AH103F
- Regulator AH104R
- Gauge AA806
- Lubricator AH105L
- Oil AD220 – 1 quart (.94 litres)
- Repair kit K205 (4 Vane, Reversible)
- Repair kit K279 (8 Vane, Reversible)



inches / mm



4AM-NRV-22B

(4 Vanes, Reversible)

4AM-NRV-54A

(8 Vanes, Reversible)

Net wt. 9 lbs. (4,1 kg)

FEATURES

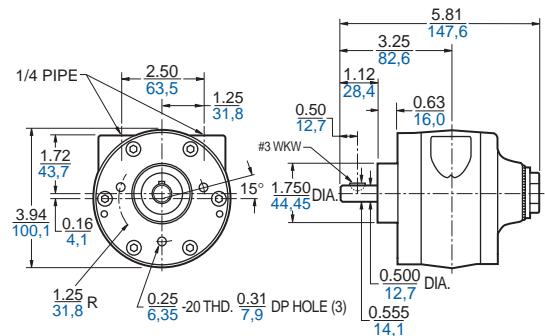
- Face mounting
- Any plane operation
- Metal muffler AC980 adds 2" height when installed

RECOMMENDED

- Filter AH103F
- Regulator AH104R
- Gauge AA806
- Lubricator AH105L
- Oil AD220 – 1 quart (.94 litres)
- Repair kit K205 (4 Vane, Reversible)
- Repair kit K279 (8 Vane, Reversible)



inches / mm



4AM-NRV-50C

(4 Vanes, Reversible)

4AM-NRV-70C

(8 Vanes, Reversible)

Net wt. 12 lbs. (5,4 kg)

FEATURES

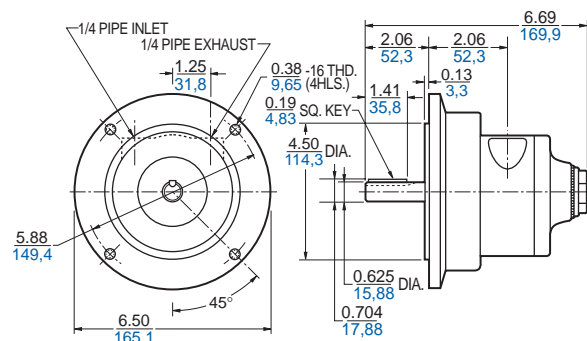
- NEMA 56C mounting
- Any plane operation
- Metal muffler AC980 adds 2" height when installed

RECOMMENDED

- Filter AH103F
- Regulator AH104R
- Gauge AA806
- Lubricator AH105L
- Oil AD220 – 1 quart (.94 litres)
- Repair kit K206A (4 Vane)
- Repair kit K280A (8 Vane)



inches / mm





MODEL

4AM-ARV-119

(4 Vanes, Reversible)

4AM-ARV-120

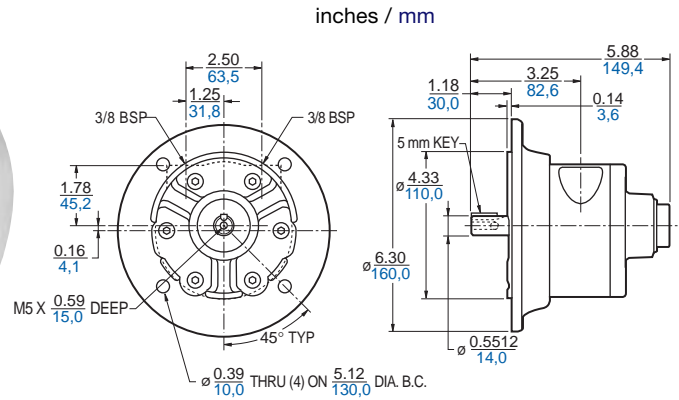
(8 Vanes, Reversible)

FEATURES

- IEC #72 mounting frame size D71
- Any plane operation
- Muffler AL445 (Includes 3/8 BSP adaptor with air motor)

RECOMMENDED

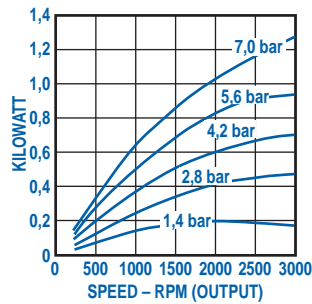
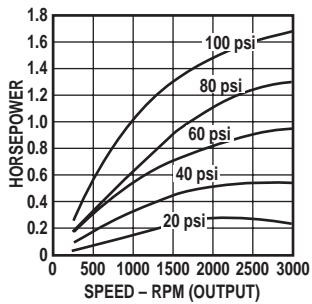
- Repair kit K206C (4AM-ARV-119)
- Repair kit K206D (4AM-ARV-120)



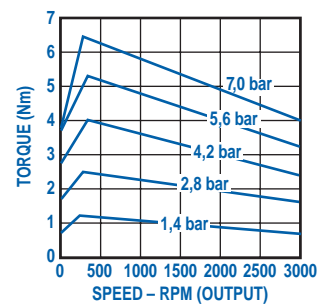
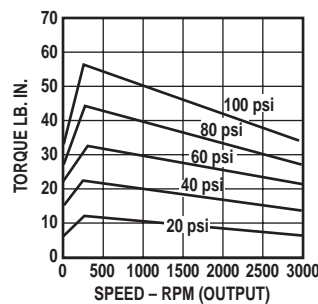
Delivers up to 1,5 kW (2 hp). Speeds may be varied from 300 to 3,000 rpm. Max. recommended operating pressure 7 bar (100 psi).

Note: Performance data represents a 4-vane model with no exhaust restriction.

Output Power vs. Speed



Torque vs. Speed



Air Consumption vs. Speed

