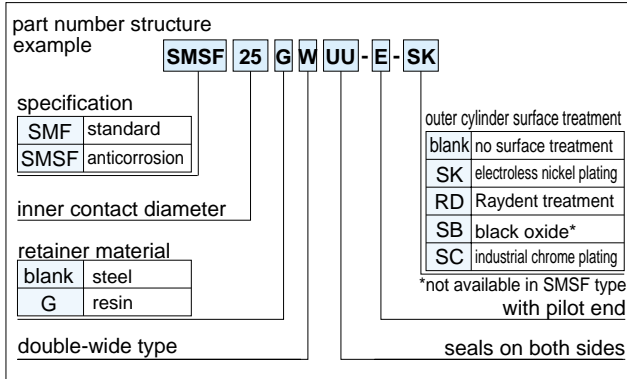


SMF-W-E TYPE

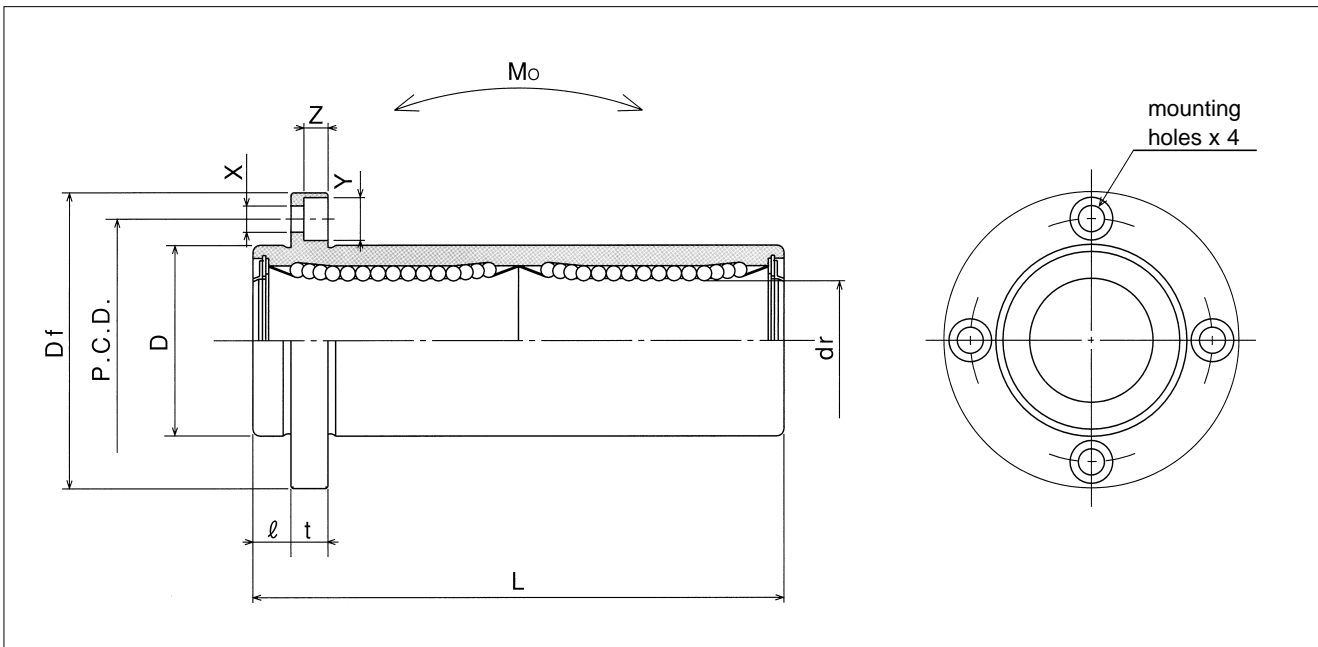
— Round Flange Double-Wide Pilot End Type —

This type is a metric dimension series widely used in Japan and other countries.



part number*									
standard		anticorrosion		dr		D		L	
steel retainer	resin retainer	stainless retainer	resin retainer	mm	tolerance μm	mm	tolerance μm	±0.3 mm	ℓ mm
SMF 6WUU-E	SMF 6GWUU-E	SMSF 6WUU-E	SMSF 6GWUU-E	6	-10	12	0	35	5
SMF 8WUU-E	SMF 8GWUU-E	SMSF 8WUU-E	SMSF 8GWUU-E	8		15	-13	45	5
SMF10WUU-E	SMF10GWUU-E	SMSF10WUU-E	SMSF10GWUU-E	10		19	0	55	6
SMF12WUU-E	SMF12GWUU-E	SMSF12WUU-E	SMSF12GWUU-E	12		21		57	6
SMF13WUU-E	SMF13GWUU-E	SMSF13WUU-E	SMSF13GWUU-E	13		23	-16	61	6
SMF16WUU-E	SMF16GWUU-E	SMSF16WUU-E	SMSF16GWUU-E	16		28	70	6	
SMF20WUU-E	SMF20GWUU-E	SMSF20WUU-E	SMSF20GWUU-E	20	0	32	0	80	8
SMF25WUU-E	SMF25GWUU-E	SMSF25WUU-E	SMSF25GWUU-E	25		40		112	8
SMF30WUU-E	SMF30GWUU-E	SMSF30WUU-E	SMSF30GWUU-E	30	-12	45	-19	123	10
SMF35WUU-E	SMF35GWUU-E	—	—	35	0	52	0	135	10
SMF40WUU-E	SMF40GWUU-E	—	—	40		60		151	13
SMF50WUU-E	SMF50GWUU-E	—	—	50	-15	80	-22	192	13
SMF60WUU-E	SMF60GWUU-E	—	—	60		0/-20		90	0/-25

* UU type is standard.



major dimensions				eccentricity	perpendicularity	basic load rating		allowable static moment Mo	mass	shaft diameter
flange						dynamic C	static Co			
Df mm	t mm	P.C.D. mm	X×Y×Z mm	μm	μm			N	N	N·m
28	5	20	3.5×6×3.1	15	15	323	530	2.18	31	6
32	5	24	3.5×6×3.1			431	784	4.31	51	8
40	6	29	4.5×7.5×4.1			588	1,100	7.24	98	10
42	6	32	4.5×7.5×4.1			813	1,570	10.9	110	12
43	6	33	4.5×7.5×4.1			813	1,570	11.6	130	13
48	6	38	4.5×7.5×4.1			1,230	2,350	19.7	190	16
54	8	43	5.5×9×5.1	20	20	1,400	2,740	26.8	260	20
62	8	51	5.5×9×5.1			1,560	3,140	43.4	540	25
74	10	60	6.6×11×6.1			2,490	5,490	82.8	680	30
82	10	67	6.6×11×6.1	25	25	2,650	6,270	110	1,020	35
96	13	78	9×14×8.1			3,430	8,040	147	1,570	40
116	13	98	9×14×8.1			6,080	15,900	397	3,600	50
134	18	112	11×17×11.1			7,550	20,000	530	4,500	60

1N ≅ 0.102kgf 1N·m ≅ 0.102kgf·m